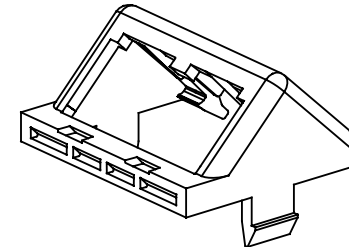
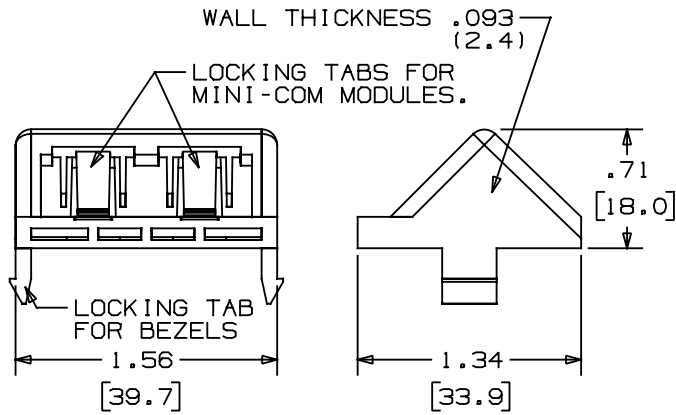


THIS COPY IS PROVIDED ON A RESTRICTED BASIS AND IS NOT TO BE USED IN ANY WAY DETRIMENTAL TO THE INTERESTS OF PANDUIT CORP.

PANDUIT P/N	WEIGHT
CHS2	.58 LB/50 PCS (264g/50 PCS)

NOTES:

- SEE CURRENT CATALOG FOR ADDITIONAL PART NUMBER SUFFIXES TO INDICATE COLOR AND OR PACKAGE QUANTITY.
- THIS PART IS TO BE USED WITH THE MINI-COM BEZELS AND MINI-COM MODULES.
- DIMENSIONS IN PARENTHESES ARE IN METRIC.



CAD FILENAME/LAYERS D35544BD\_CHS2\_00

PANDUIT CORP. TINLEY PARK, ILLINOIS

TWO MODULE MINI-COM SLOPED INSERT FOR EXECUTIVE BEZELS (CHS2)  
CUSTOMER DRAWING

UNLESS OTHERWISE SPECIFIED, DIMENSIONAL TOLERANCES ARE:  
(.X) ± (.XXX) ±.010(.3)  
(.XX) ±.03(.8) ANGLES ±

UNLESS OTHERWISE SPECIFIED, ALL DIMENSIONS ARE GIVEN IN INCHES, THIRD ANGLE PROJECTION.

DRAWN BY DW MAT'L: ABS

SCALE NONE

DATE 4-1-96

DRAWING NO. 35544-05

DWG SIZE A

R	4-1-96	DW		RELEASED TO PRODUCTION.	35544-05					
REV	DATE	BY	CHK	DESCRIPTION	ECN	CHK	CUST	SUP		